



HYDROPNEU
partner for hydraulics
cylinders - drives - special solutions



Hydropneu Hydraulik India Private Limited

German Precision - Indian Enterprise

About Us

Hydropneu Hydraulik India Pvt. Ltd. is an ISO 9001:2015, ISO 14001:2015 & OHSAS 45001:2018 certified company in collaboration with M/s HYDROPNEU GmbH, Germany. We specialize in manufacturing hydraulic and pneumatic cylinders, hydraulic systems, hydraulic components, and hydraulic accessories, serving Sectors like Steel, Defence, Cement, Mining, Hydel, Power, and General Engineering. Our state-of-the-art facility is equipped with a design and quality control team. Our hydraulic cylinders feature bores up to 1000mm and strokes up to 10000mm, with various mounting styles and constructions. Our hydraulic systems and power packs are suitable for Press Automation, Hydel, and General Engineering applications, with working pressures up to 450 Bars. We also offer reconditioning and refurbishment services for high-value hydraulic cylinders, providing a cost-effective solution and extending their lifespan.



Our Mission

Hydropneu Hydraulik India Pvt Ltd aims to provide innovative and reliable hydraulic and pneumatic products to various industries. Our high-quality products are designed to meet the specific needs of our customers, with a commitment to timely delivery and exceeding Customer expectations.

Our Vision

Hydropneu Hydraulik India Pvt. Ltd. aims to be the foremost provider of hydraulic & pneumatic solutions, Known for our innovation, reliability, and customer-centric approach, We continuously enhance our manufacturing, design, and quality control capabilities to deliver superior products and services to our customers. Our goal is to build long-term partnerships with our clients, earning their trust as their go-to source for hydraulic and pneumatic needs.

Sectors We Serve

. Steel



. Pharma



. Cement

. Mining

. Machine Tool

. Power

. Hydrel/Irrigation



. Heavy Earth moving

. Material Handling



. Oil & Gas

. Aerospace

. Defence



L&T Hydrocarbon Engineering

L&T Hydrocarbon Engineering Limited
2016 Bhamburda Bypass
1, Pooja Building, 40th Corporate Road,
Opp. SSS Golf Course, Vengal Rao Nagar,
Hyderabad - 501 740, E. India-50004

Mr J Murali Mohan, Director
M/s HydropneuHydraul K India Private Limited,
Hyderabad .

11th Jan 2016

Dear Mr. Murali .

This is regarding repair of 10 nos. Hydraulic cylinders for Coggle valves and 1 no. Vain air blower trip valve actuator for ICCL, Paradip Refinery- FCCU Project.

We would like to thankfully acknowledge the excellent, prompt support & solution provided by you during critical phase of the project.

Successful repair and testing of the hydraulic cylinders and main air blower trip valve actuator ensured smooth operation of the valves and the related equipment during commissioning of the Plant.

Look forward for more future association .

Regards

Aashu Meher
Jt. General Manager- Refinery
L&T Hydrocarbon Engineering Limited

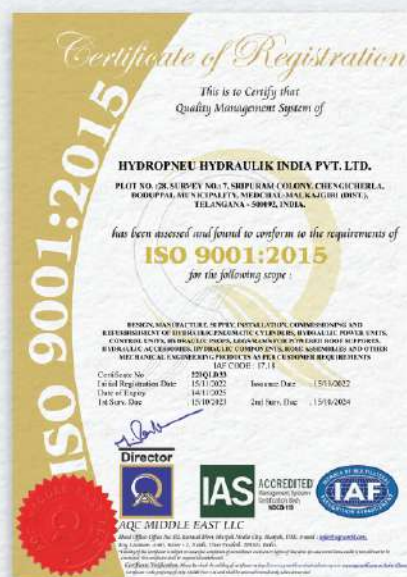


Proud Moment For Hydropneu



Quality Control

Our products are manufactured under strict monitoring and inspection by our QC team. Our QC team is equipped with latest QC equipment which are calibrated regularly at NABL approved Calibration Labs.





FACILITIES

- ◆ State of the art Machinery (CNC & Conventional)
- ◆ State of the art Testing Facilities
- ◆ Automated Test Rig

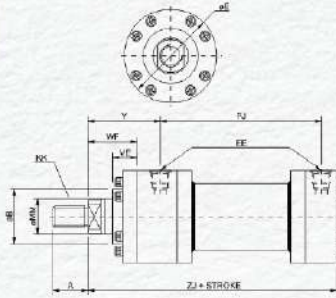
CAPABILITIES

- ◆ Hydropneu India has a proved record of manufacturing custom designed products as per customer requirements with a combination of CNC and Conventional Machinery available in house.
- ◆ In house Design Team with licensed software such as Auto CAD & Pro E etc.

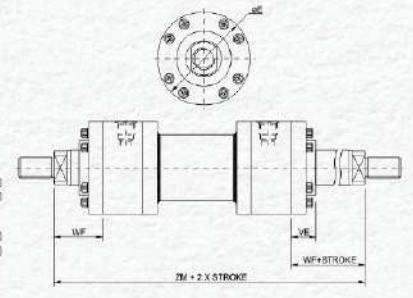


BASIC DIMENSIONS

BORE	ROD ØMM	KK	A	EE BSP	VE	WF	ØB	ØE	Y	PJ	ZJ	ZM
50	36	M27X2.0	36	1/2"	29	47	63	108	95	125	240	315
63	45	M33X2.0	45	3/4"	32	53	75	122	105	140	270	350
80	56	M42X2.0	56	3/4"	36	60	90	145	122	152	300	396
100	70	M48X2.0	63	1"	41	68	110	175	135	170	335	440
125	90	M64X3.0	85	1"	45	76	132	215	165	190	390	520
160	110	M80X3.0	95	1 1/4"	50	85	160	270	190	230	460	610
200	140	M100X3.0	112	1 1/4"	61	101	200	330	225	270	540	720
250	180	M125X4	125	1 1/2"	71	113	250	390	260	325	640	845
320	220	M160X4	160	2"	88	136	320	460	310	350	750	970

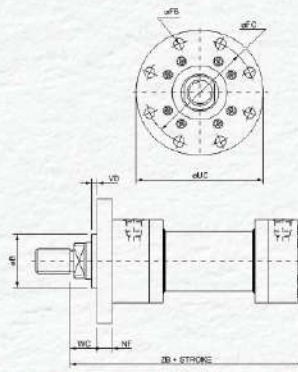


SINGLE ROD END

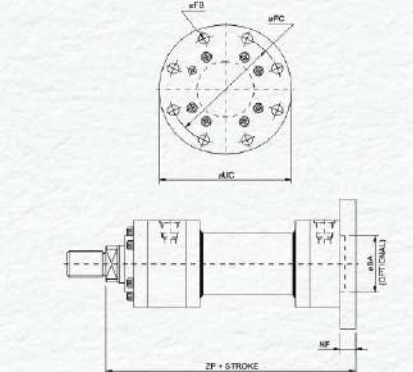


DOUBLE ROD END (NON ISO)

BORE	VD MIN	WC	FB	FC Js13	NF	ØB ØBA	ØUC	ZB MAX	ZP
50	4	22	8 X Ø 13.5	132	25	63	155	244	265
63	4	25	8 X Ø 13.5	150	28	75	175	274	298
80	4	28	8 X Ø 17.5	180	32	90	210	305	332
100	5	32	8 X Ø 22	212	36	110	250	340	371
125	5	36	8 X Ø 22	250	40	132	290	396	430
160	5	40	8 X Ø 26	315	45	160	360	467	505
200	5	45	8 X Ø 33	385	56	200	440	550	596
250	8	50	8 X Ø 39	475	63	250	540	652	703
320	8	56	8 X Ø 45	600	80	320	675	764	830

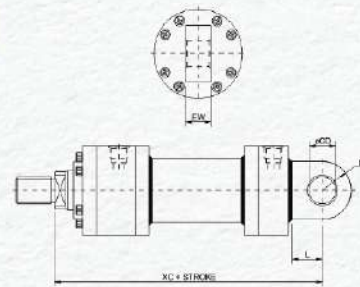


HEAD END CIRCULAR FLANGE MOUNTING

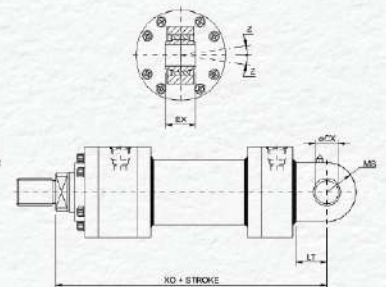


CAP END CIRCULAR FLANGE MOUNTING

BORE	ØCD	ØCX	EX or EW MIN	L/LT MAX	MR/MS	XC/XO	Z
50	32	32	32	40	40	305	4°
63	40	40	40	50	50	348	
80	50	50	50	63	63	395	
100	63	63	63	71	71	442	
125	80	80	80	90	90	520	
160	100	100	100	112	112	617	
200	125	125	125	160	160	756	
250	160	160	160	200	200	903	
320	200	200	200	250	250	1080	

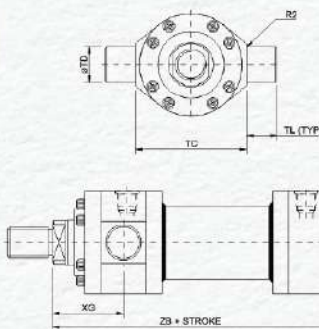


CAP FIXED EYE MOUNTING

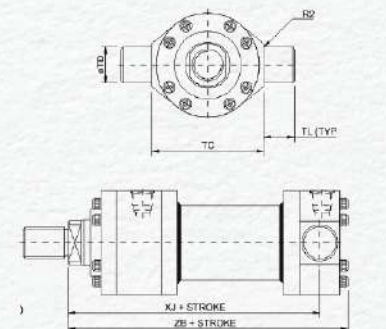


CAP FIXED EYE WITH SPHERICAL PLAIN BEARING MOUNTING

BORE	TD f8	TL J16	TC h12	XG	XJ	ZB MAX
50	32	25	112	82	220	244
63	40	32	125	92	245	274
80	50	40	150	104	274	305
100	63	50	180	118	312	340
125	80	63	224	138	364	396
160	100	80	280	158	434	467
200	125	100	335	186	516	550
250	160	125	425	214	620	652
320	200	160	530	268	680	764

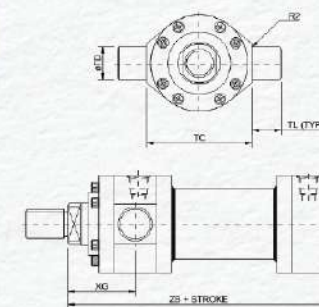


HEAD END TRUNNION MOUNTING

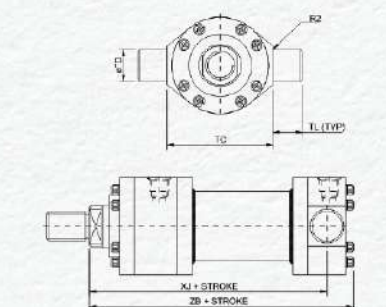


CAP END TRUNNION MOUNTING

BORE	TD f8	TL J16	TC h12	XG	XJ	ZB MAX
50	32	25	112	82	220	244
63	40	32	125	92	245	274
80	50	40	150	104	274	305
100	63	50	180	118	312	340
125	80	63	224	138	364	396
160	100	80	280	158	434	467
200	125	100	335	186	516	550
250	160	125	425	214	620	652
320	200	160	530	268	680	764



HEAD END TRUNNION MOUNTING



CAP END TRUNNION MOUNTING

Our Products



Hydraulic Hoists for Dam Gate Application.



Hydraulic Equipment for Lift Irrigation Projects



Specialized Hydraulic Cylinders for critical application. Working Pressure 450 Bars



Hydraulic Cylinders for Centrifuge & ANFD application in Pharma.



Hydraulic Cylinders for Material Handling in Coal Handling Plants in Mining Sector



Hydraulic Power Packs for General Engineering Sector



Hydraulic Cylinders for Continuous Caster in Steel Sector



Hydraulic Cylinders for Live Steam Admission Valves of Steam Turbines in Power Sector

SPECIALISTS IN HYDRAULIC CYLINDERS

We are experts in engineering and manufacture of Hydraulic Cylinders for various applications. Our state-of-the-art equipment and infrastructure supported by latest technology software like CAD/CAM support us ensure quality products.

Hydraulic Cylinders welded/bolted construction upto 250 bars W.P. as per ISO 6020 (Mill Duty)

Hydraulic Cylinders welded/bolted construction upto 160 bars W.P. as per ISO 6020

Hydraulic Cylinders tie-rod construction upto 160 bars

Custom built Pneumatic Cylinders heavy duty upto 10 bars

Multi Stage Telescopic Cylinders.

Special type custom built cylinders upto 450 bars



GET IN TOUCH



Number : +91 40 29551123

Website : www.hydropneuindia.com | info@hydropneuindia.com

Address : Plot no.: 28, Sripuram Colony, Survey No.: 7
Near Poosala Godowns, Chengicherla,
Boduppal Municipality, Hyderabad - 500 092.
Telangana, India